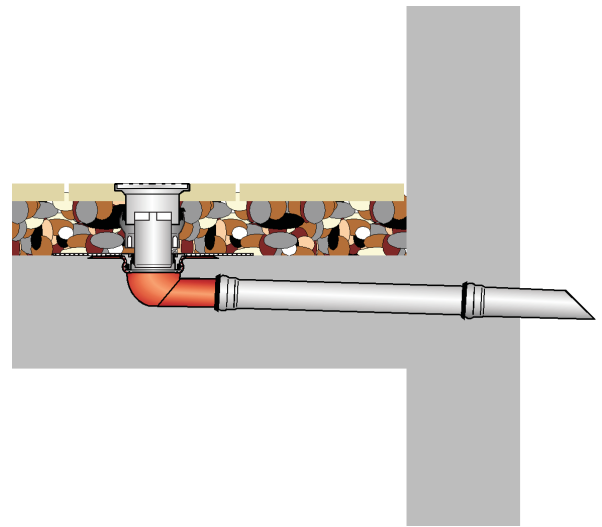


Specification sheet LX1933

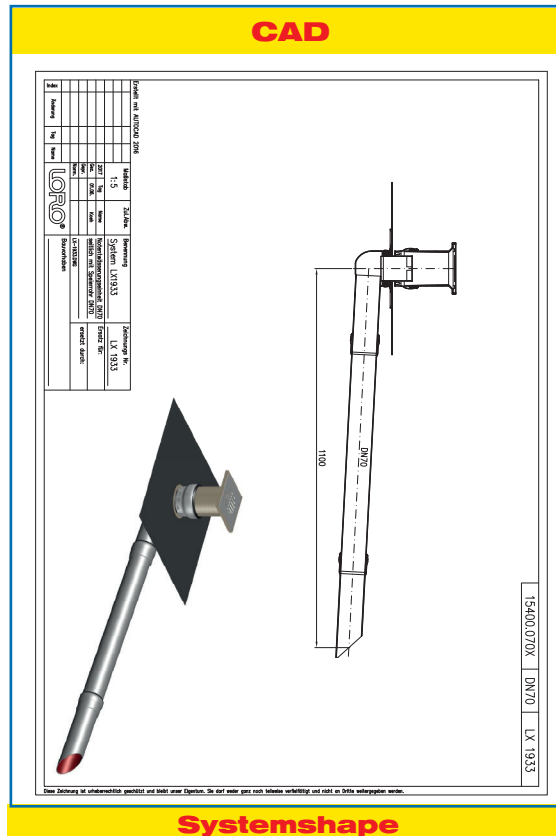
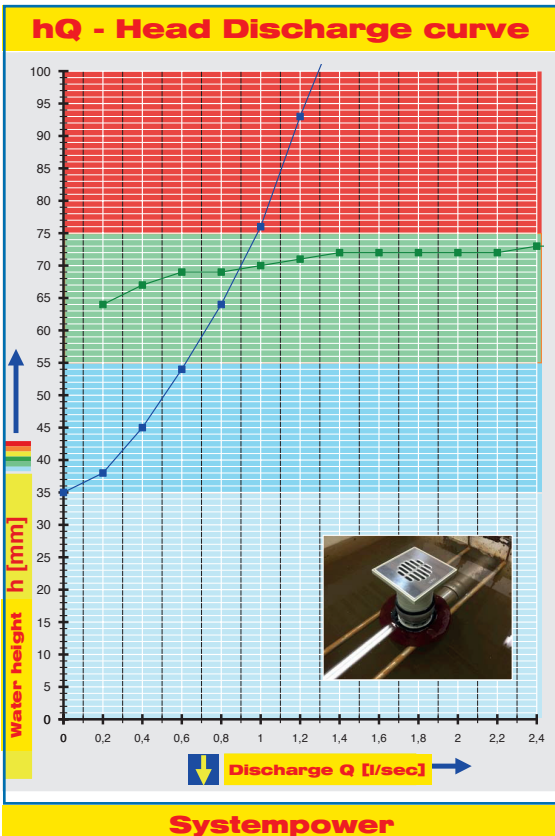
Balcony drainage Emergency balcony drain, Series E+F

Emergency drainage	
Gravity flow	
Silent	
Discharge rate:	1,0 l/sec
Water height:	75 mm
Roof penetration:	0 mm
Diameter:	DN 70
LX-Number:	LX1933
Weir height:	35
Drain:	ventilated
Downpipe:	ventilated
Downpipe height:	-
Drainage:	on floor
Flange form:	Connection sleeve



LX 1933 Piece list

- 1 x Art.-No. 15400.070X, Balcony drain Series E+F
- 1 x Art.-No. 15600.070X, Emergency unit for balcony drains
- 1 x Art.-No. 01211.070X, LORO-X Pipe with one socket
- 1 x Art.-No. 15199.070X, LORO-X Spout
- 2 x Art.-No. 00911.070X, LORO-X Sealing elements
- 1 x Art.-No. 00986.000X, LORO-X Lubricant



Water height	mm	15	20	25	30	35	40	45	50	55	60	65	70	75	80	85	90	95	100
Discharge	l/sec	-	-	-	-	-	0,25	0,4	0,5	0,61	0,71	0,81	0,9	1,0	1,04	1,10	1,17	1,21	1,29
Silent																			

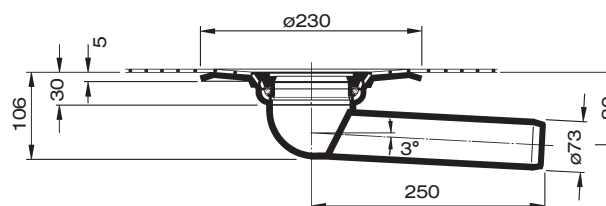
LORO-X Emergency balcony drain

DN 70

LX1933-12X

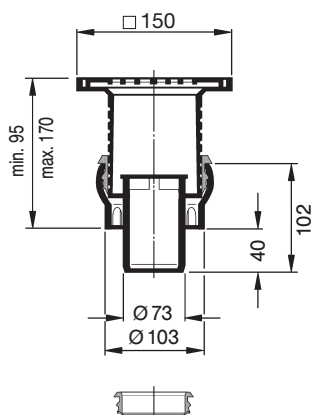
Art.-No. 15400.070X

Weight: 2,5 kg

Balcony drain with connection sleeve**LORO-Emergency unit for balcony drainage, Series E and F**

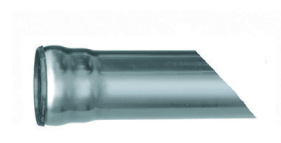
Art.-No. 15600.070X

Weight: 1,0 kg

**LORO-X Spout**

Art.-No. 15199.070X

Weight: 0,9 kg



Heat tracing: Lorowerk recommends to check all drains and pipes with regard to their frost-sensibility. Where necessary, these parts should be upgraded with heat tracing.